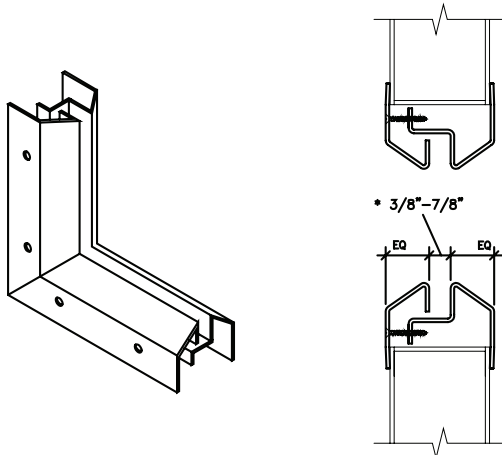
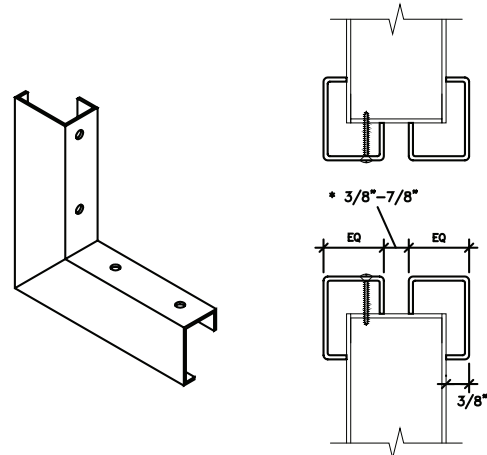




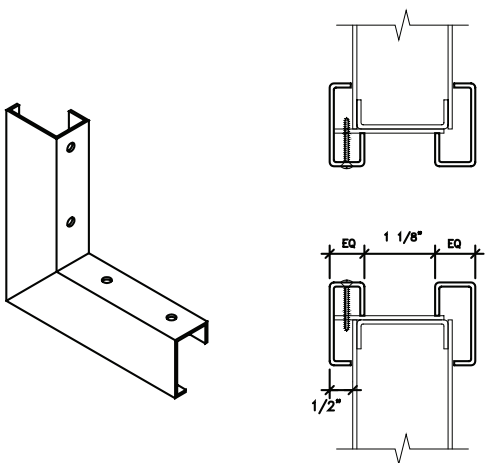
# VISION LITES



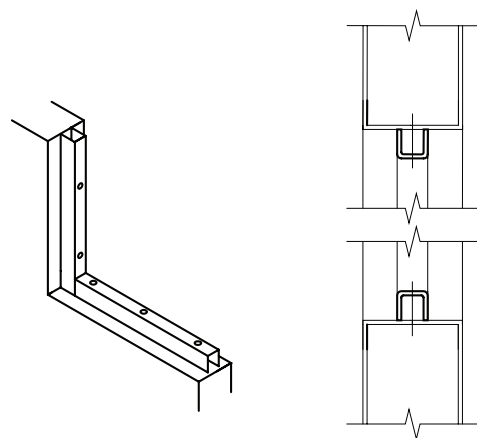
**STANDARD GLASS MOULDING**  
 UP TO 7/8" GLASS POCKET



**ALTERNATE GLASS MOULDING**  
 UP TO 7/8" GLASS POCKET



**INSULATED GLASS MOULDING**  
 UP TO 1 1/8" GLASS POCKET



**PHARMACEUTICAL GLASS MOULDING**  
 1/4" GLASS THICK