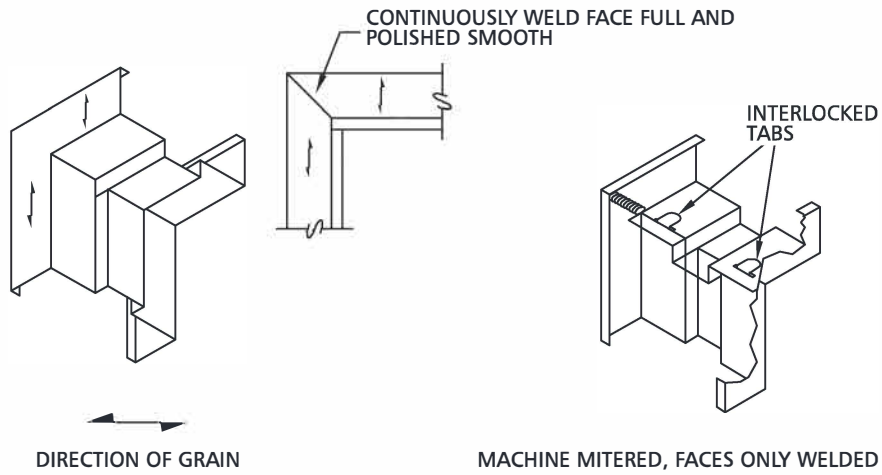




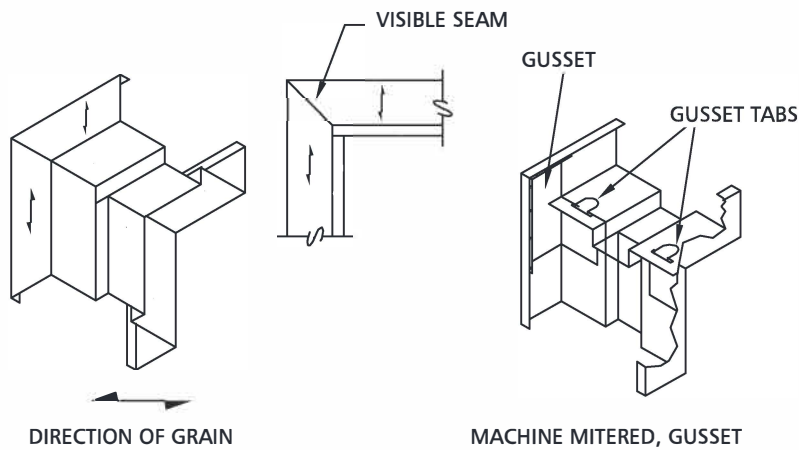
FRAMES

CORNER CONSTRUCTION

FACE-WELDED CORNER



WELDED FRAME VISIBLE SEAM



FULLY-WELDED SEAMLESS

