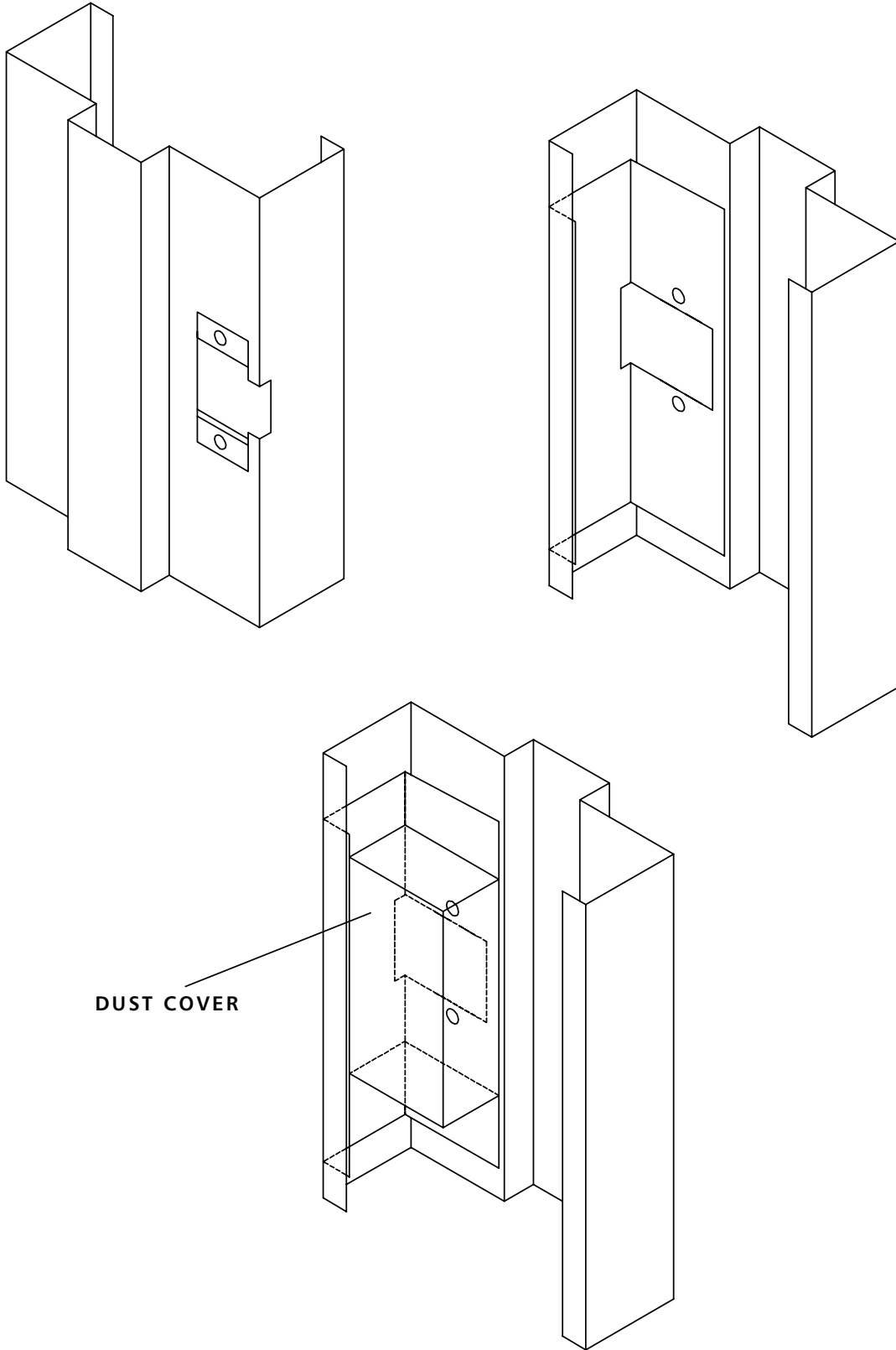


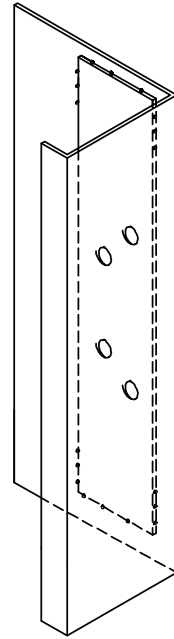
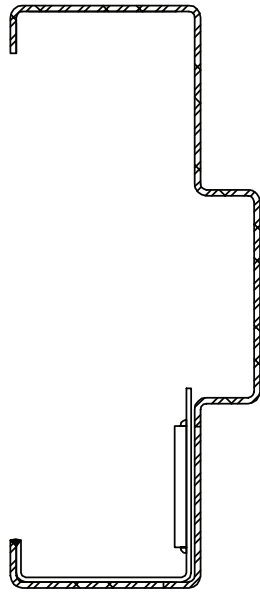


HARDWARE REINFORCEMENT STRIKE

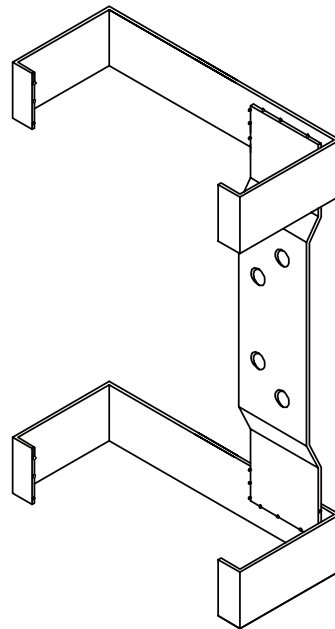
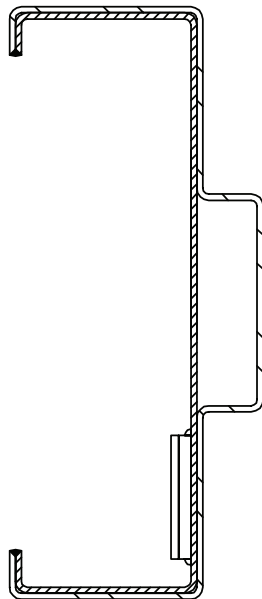




HARDWARE REINFORCEMENT HINGE



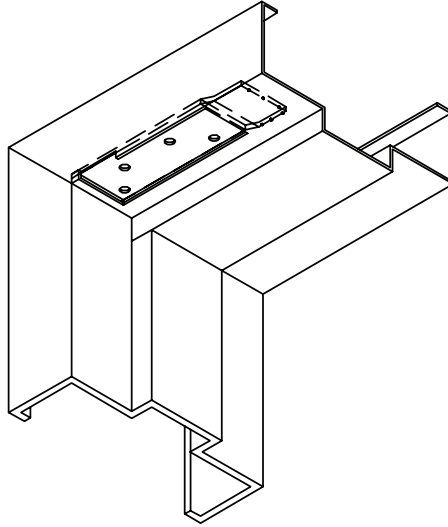
STANDARD CONSTRUCTION



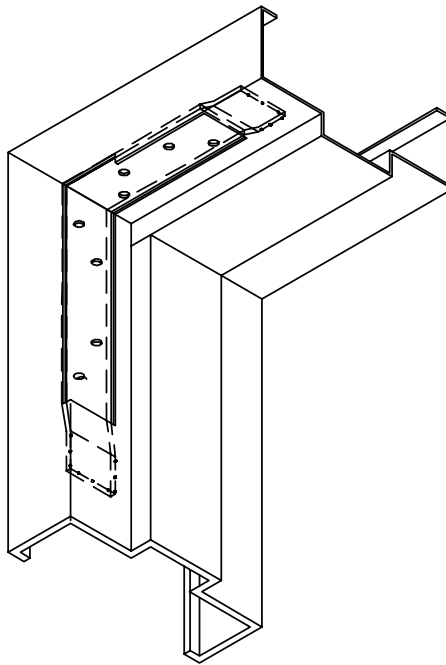
ALTERNATE CONSTRUCTION



HARDWARE REINFORCEMENT PIVOT AND ANCHOR HINGE



PIVOT



ANCHOR HINGE