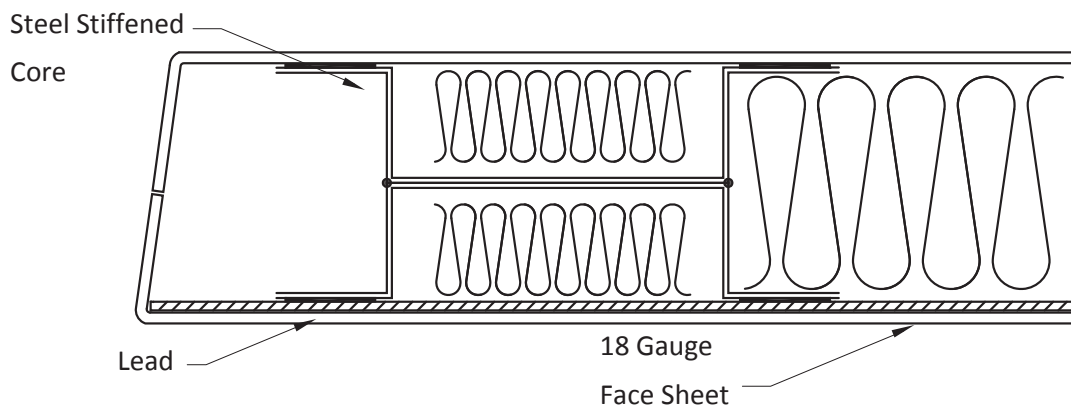


HMD Cores Lead Lined

Core:

1/32" - 1/8" lead thickness available.

Fire Ratings available.



 = LEAD LINED