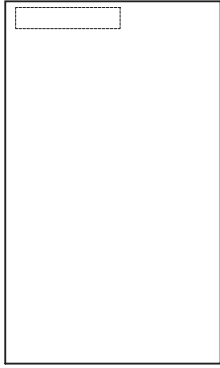


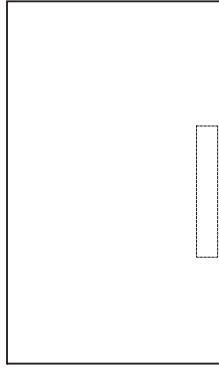


HARDWARE REINFORCEMENTS

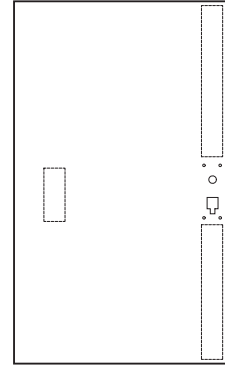
PLACEMENT AND OPTIONS



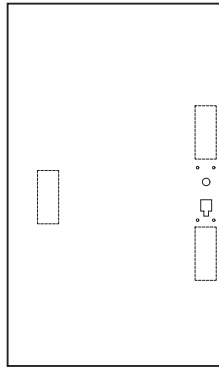
**REGULAR/PARALLEL ARM
SURFACE CLOSER**



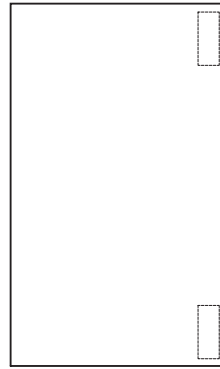
PUSH/PULL



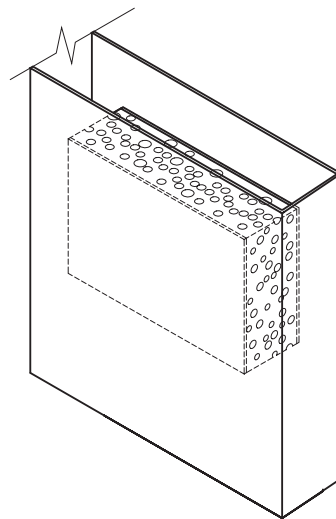
VERTICAL RIM PANIC
(FULL HEIGHT IF NO TRIM)



RIM PANIC



SURFACE BOLTS

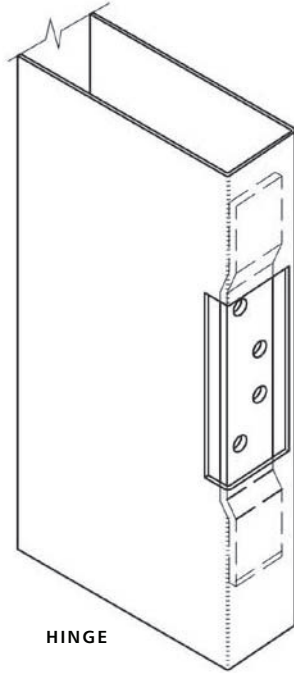


**STANDARD CLOSER
REINFORCEMENT**

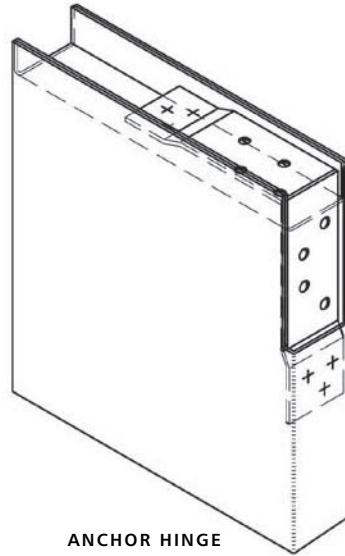


HARDWARE REINFORCEMENTS

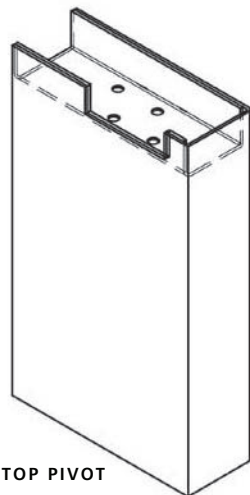
OTHER PREPARATIONS



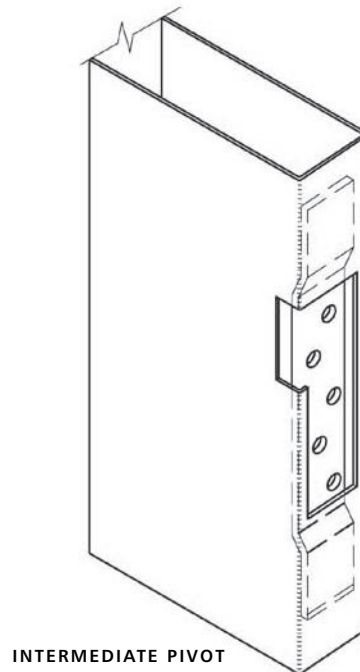
HINGE



ANCHOR HINGE



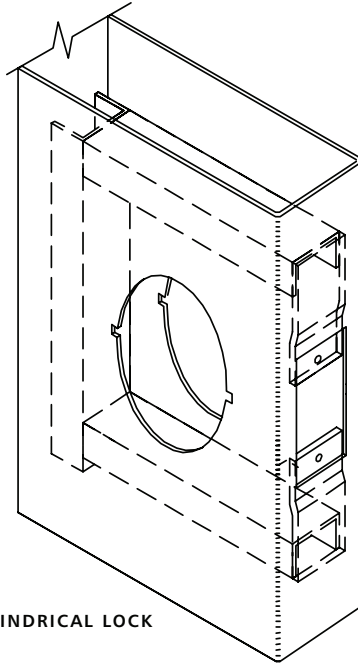
TOP PIVOT



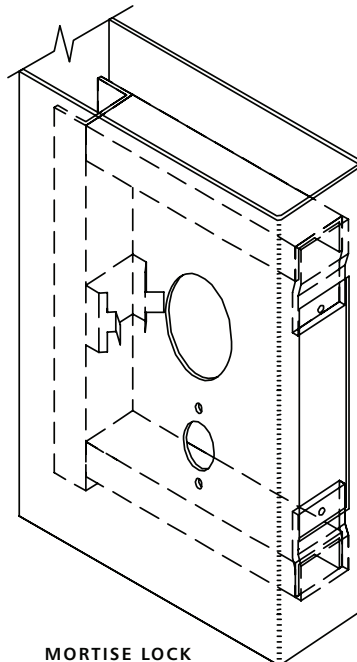
INTERMEDIATE PIVOT



STANDARD LOCK REINFORCEMENTS



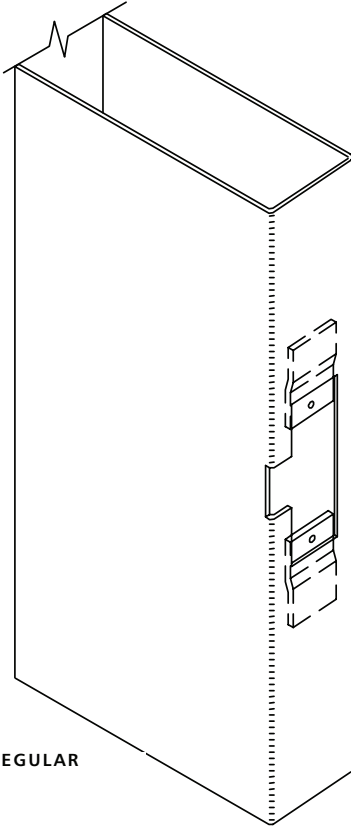
CYLINDRICAL LOCK



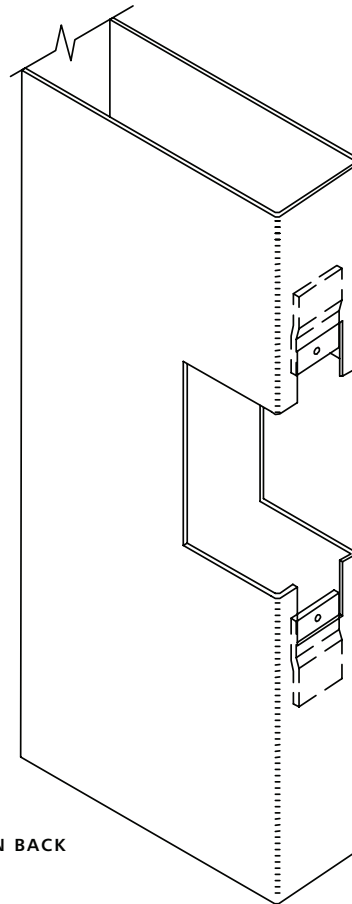
MORTISE LOCK



STRIKE REINFORCEMENTS



REGULAR

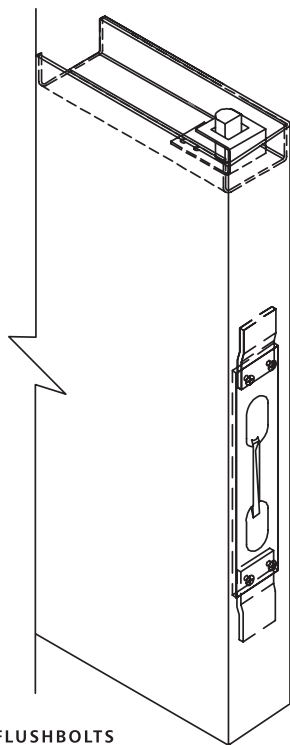
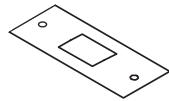
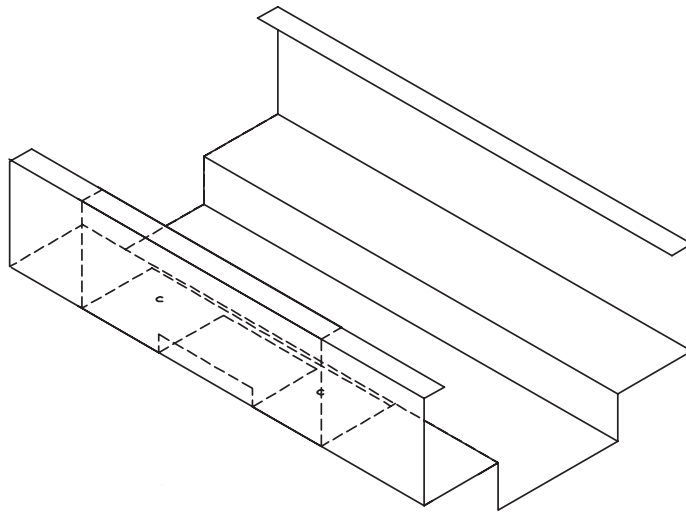


OPEN BACK



HARDWARE REINFORCEMENTS

FLUSHBOLTS PREPARATION

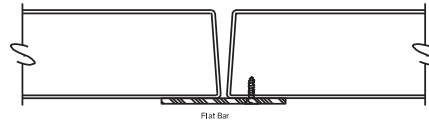
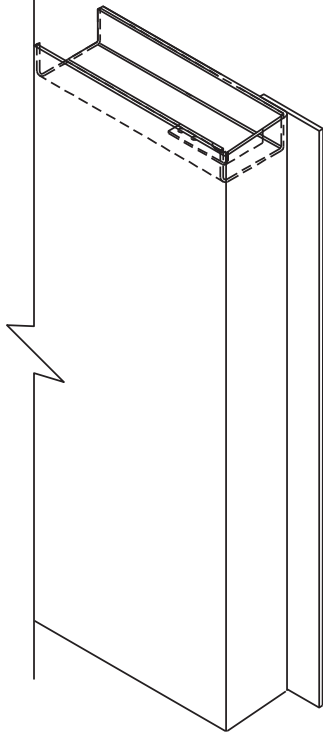


FLUSHBOLTS



HARDWARE REINFORCEMENTS

ASTRAGALS



FLAT ASTRAGAL