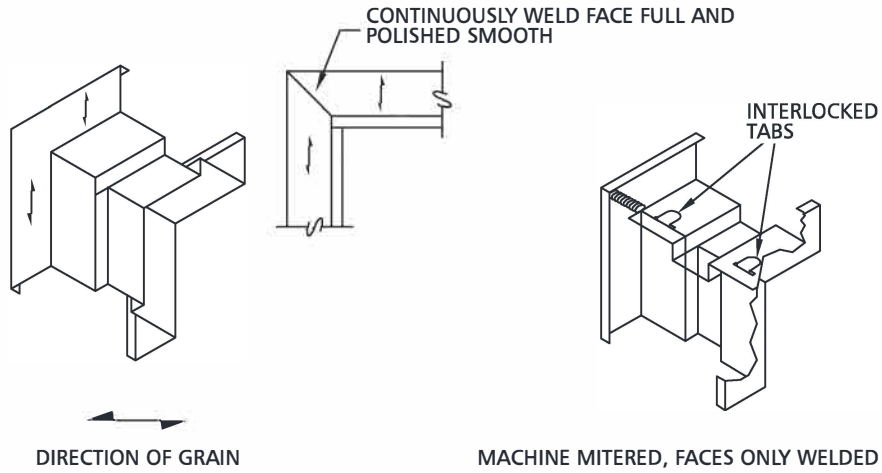




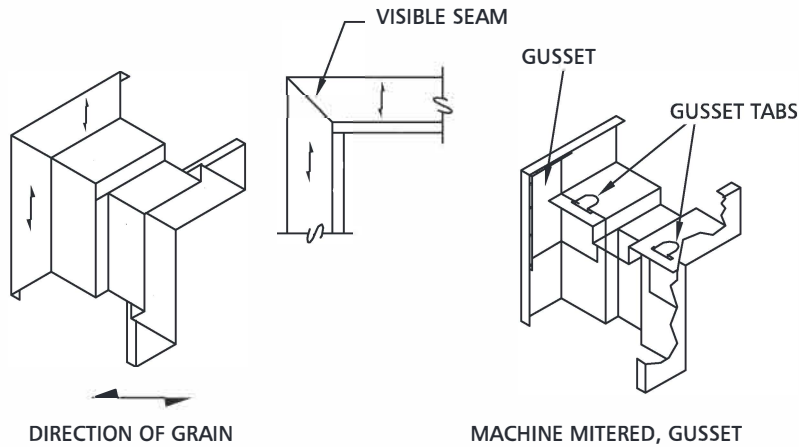
# FRAMES

## CORNER CONSTRUCTION

### FACE-WELDED CORNER



### WELDED FRAME VISIBLE SEAM



### FULLY-WELDED SEAMLESS

