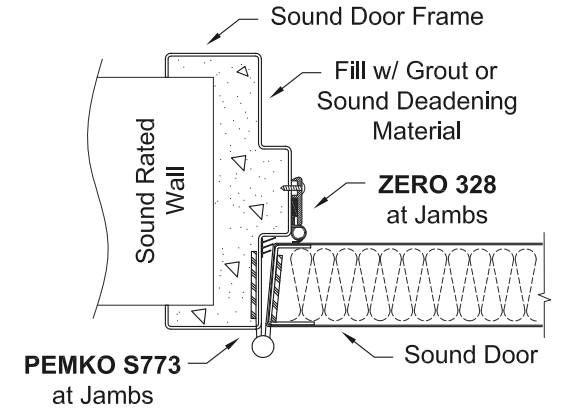
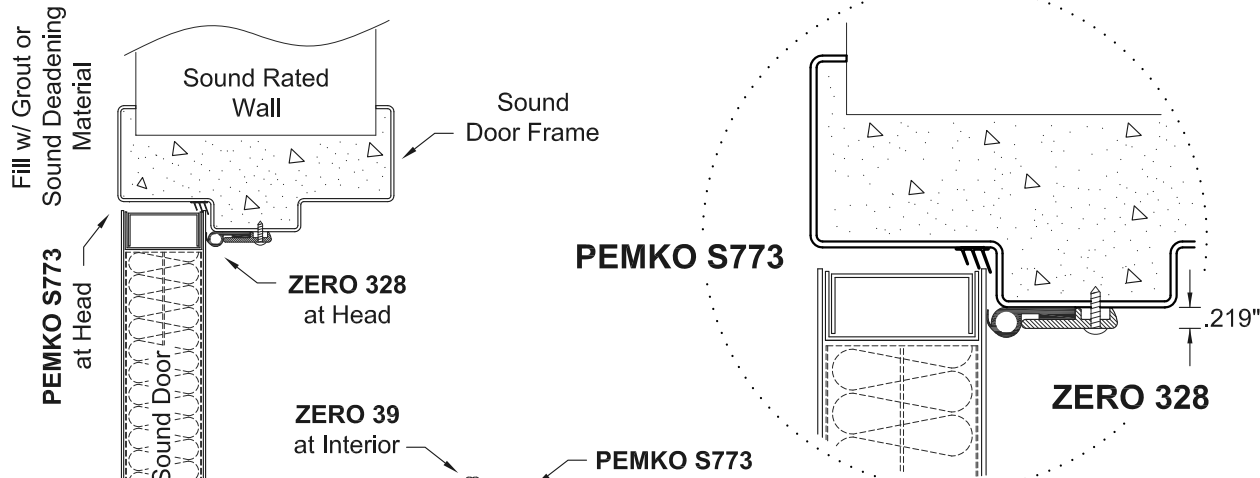
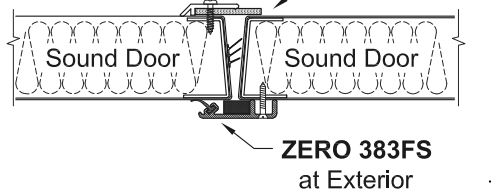


ASSEMBLY TYPE	FRAME PROFILE	RATING	SPECIAL NOTES	DWG. #
SOUND TRANSMISSION CLASS	DOUBLE RABBET	43	REGULAR or CAM LIFT HINGES	STC 43.2Z PAIR

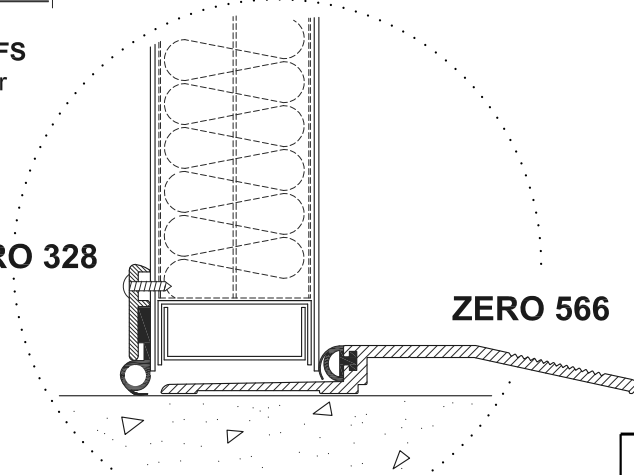
HEAD DETAIL



JAMB DETAIL




MEETING STILE



SILL DETAIL

Construction Specs.

Frame	Thickness	16 GA Min.
	Opening	8' 0" x 8' 0" Max.
Door	Thickness	18 GA Min.
	Leaf	4' 0" x 8' 0" Max.
	Estimated Wt.	7 Lbs. per Sq. Ft.
	Undercut	3/8"
Fire Rating (WHI)		Up To 3 Hrs.

 NDC NEXT DOOR COMPANY	SCALE:	NOT TO SCALE
	DATE:	06-09-11
	DRAWN BY:	R.R.
	CHECKED BY:	J.S.